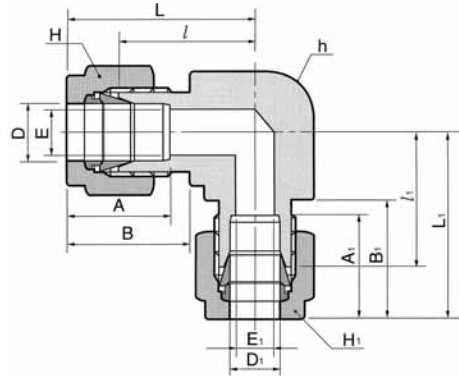


Dk-Lok Tube Fittings

Reducing Union Elbow DLR



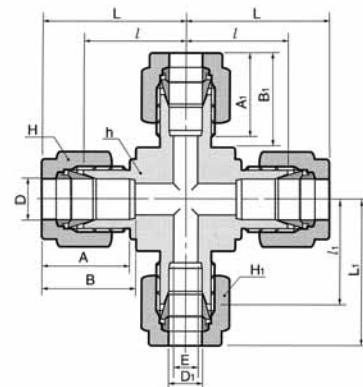
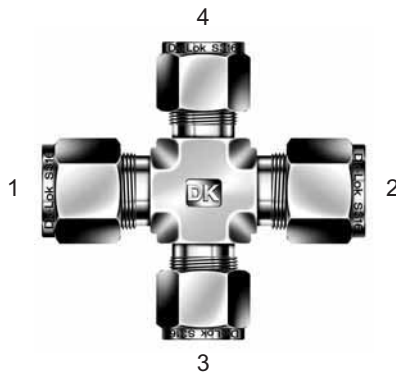
Connects fractional tube

Part No.	Tube O.D.				Width across flat					E	E ₁	A	A ₁	B	B ₁	l	l ₁	L	L ₁	
	D	D ₁	h	H	H ₁															
	in	mm	in	mm	in	mm	in	mm	in	mm										
DLR 2-1	1/8	3.17	1/16	1.59	3/8	9.52	7/6	11.11	5/16	7.93	2.4	1.3	12.7	8.63	15.24	10.93	15.74	14.2	22.35	18.0
DLR 4-2	1/4	6.35	1/8	3.17	1/2	12.7	9/16	14.28	7/6	11.11	4.8	2.4	15.24	12.7	17.78	15.24	19.55	17.9	26.92	24.5
DLR 6-4	3/8	9.52	1/4	6.35	5/8	15.87	11/16	17.46	9/16	14.28	7.1	4.8	16.76	15.24	19.3	17.78	23.1	21.92	30.47	29.29
DLR 8-4	1/2	12.7	1/4	6.35	13/16	20.64	7/8	22.22	9/16	14.28	10.41	4.8	22.86	15.24	21.84	17.78	25.9	24.4	36.06	31.77
DLR 8-6	1/2	12.7	3/8	9.52	13/16	20.64	7/8	22.22	11/16	17.46	10.41	7.1	22.86	16.76	21.84	19.30	25.9	25.9	36.06	33.27

Connects metric tube

Part No.	Tube O.D.				Width across flat					E	E ₁	A	A ₁	B	B ₁	l	l ₁	L	L ₁
	D	D ₁	h	H	H ₁														
	in	mm	in	mm	mm	in	mm												
DLR 8M-4	8	1/4	6.35	9/16	14.28	16	9/16	14.28	6.4	4.8	16.2	15.24	18.6	17.78	21.3	20.6	28.7	28.0	

Reducing Union Cross DXR



Connects fractional tube

Part No.	Port 1	Port 2	Port 3	Port 4	E Min	Width across flat					A	A ₁	B	B ₁	l	l ₁	L	L ₁	
	D	D ₁	h	H		H ₁													
	in	mm	in	mm		in	mm	in	mm	in	mm								
DXR 12-12-6-6	3/4	19.05	3/8	9.52	7.1	1-1/16	26.98	1-1/8	28.57	11/16	17.46	24.38	16.76	21.84	19.3	29.71	29.71	39.87	37.07

Connects metric tube

Part No.	Port 1	Port 2	Port 3	Port 4	E Min	Width across flat					A	A ₁	B	B ₁	l	l ₁	L	L ₁
	D	D ₁	h	H		H ₁												
	in	mm	in	mm		mm	mm	mm	mm									
DXR 16M-6M-6M-6M	16	6	4.8	25.4	25	14	24.4	15.3	22.0	17.7	28.7	27.2	38.8	34.6				